

T I N
K E R
C A D

**Bookmark
with 2 colors
Project**

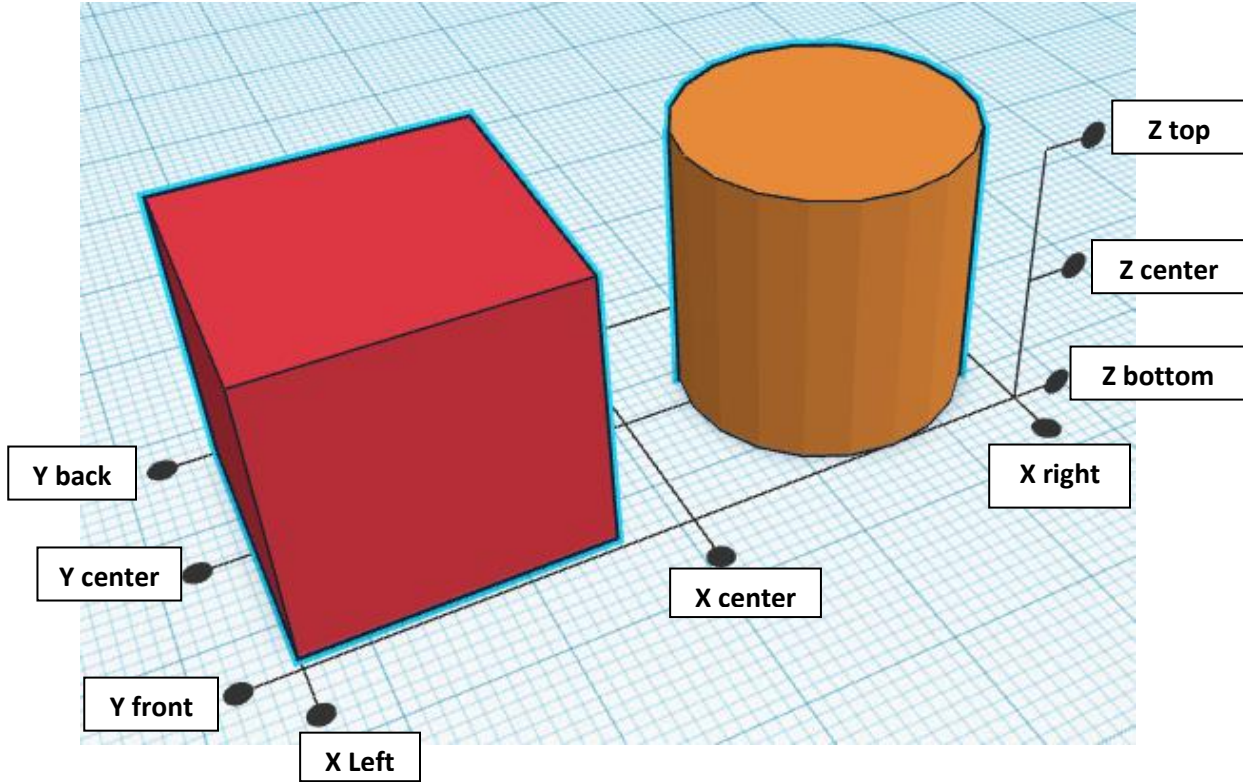


Reference to Aligning, Flip direction, Move direction, and Rotate direction.

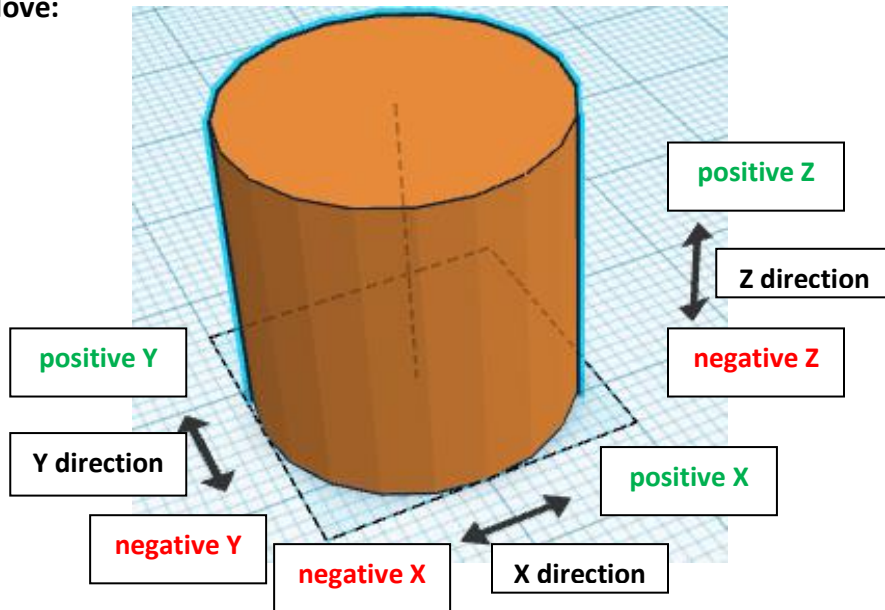
Always be in the "home view" when doing any of these!!!



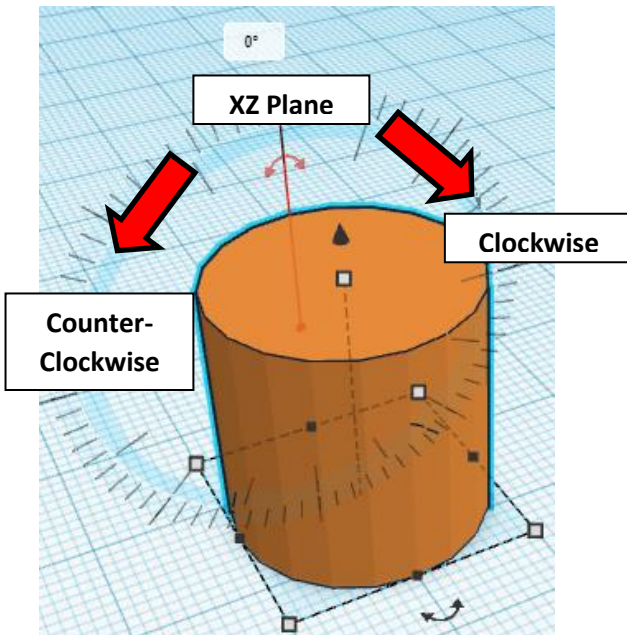
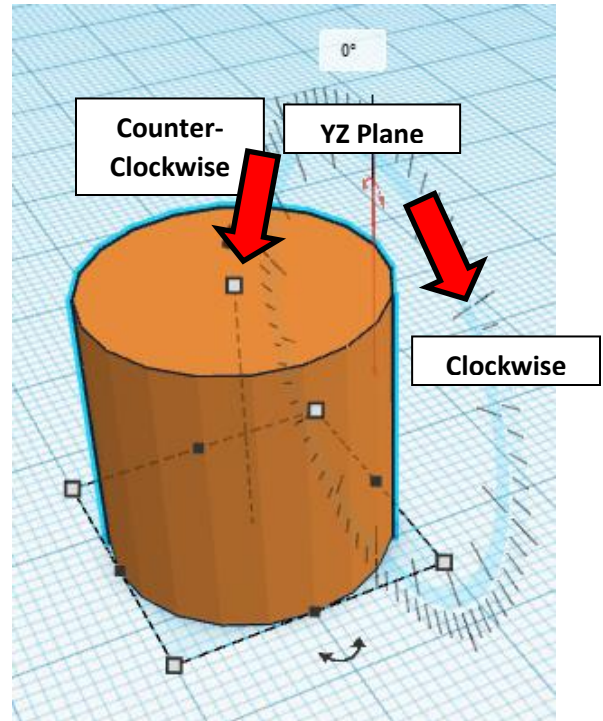
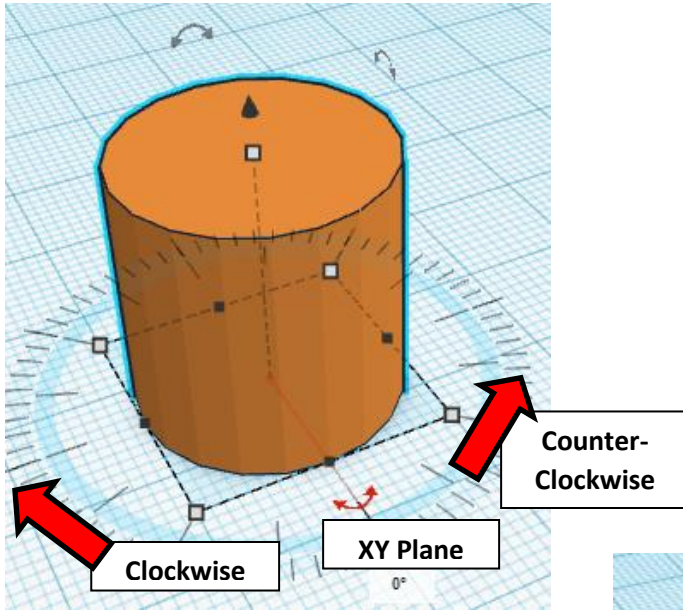
Aligning:



Flip or Mirror and Move:



Rotate:

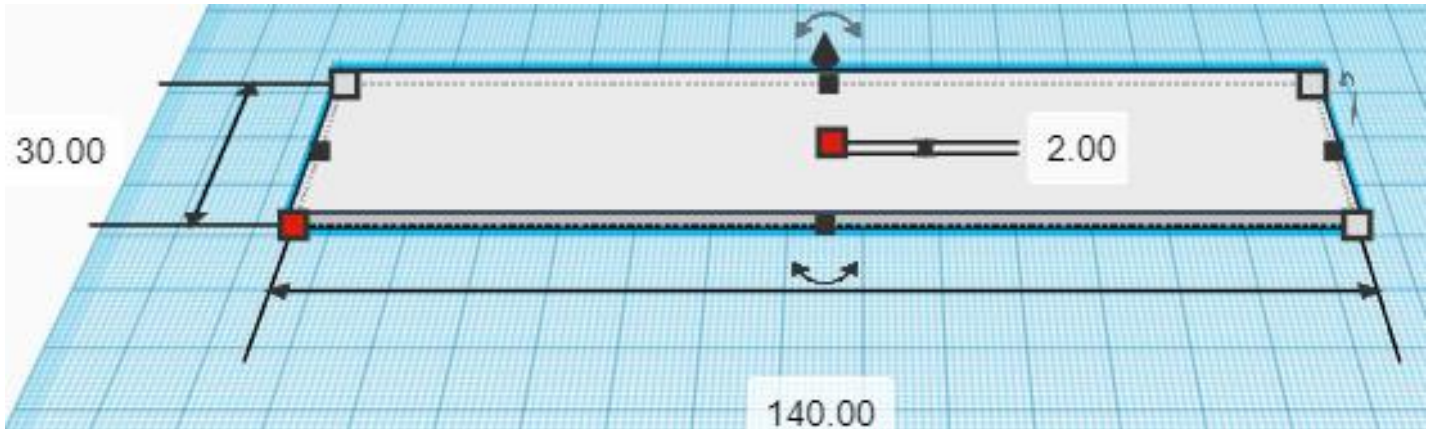


Bookmark with 2 colors:

Base:

Bring in a Box, located in Basic Shapes on the left 2 shapes down.
From now on this will be called the **Base**.

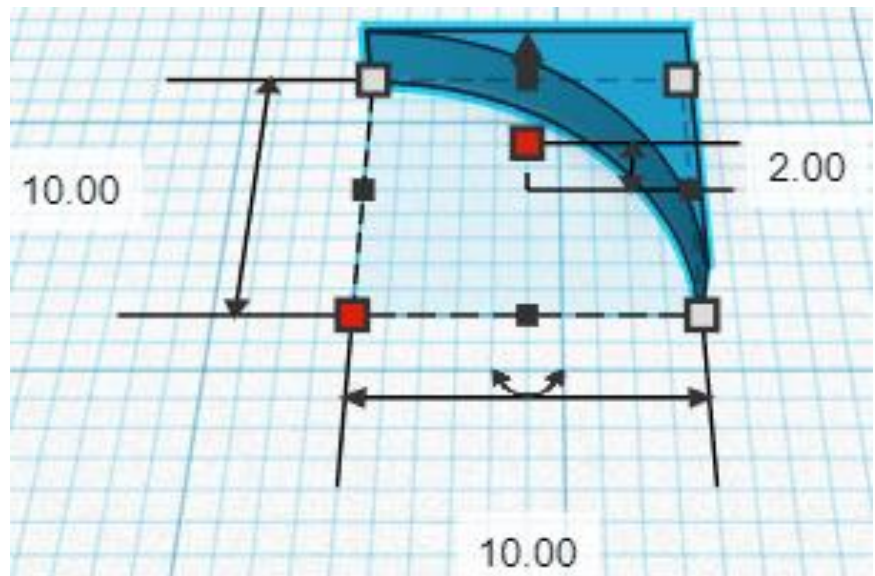
Change the dimensions to
140mm X direction,
30mm Y direction, and
2mm Z direction.



Bring in a MetaFillet, located in All, (things in All move each time that TinkerCad adds items to All), this was last seen on page 11, on the bottom left.

From now on this will be called the **Corner Cutout**

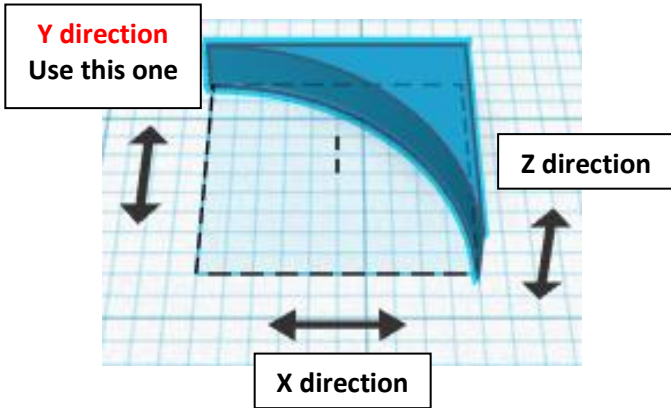
Change the dimensions to
10mm X direction,
10mm Y direction, and
2mm Z direction.



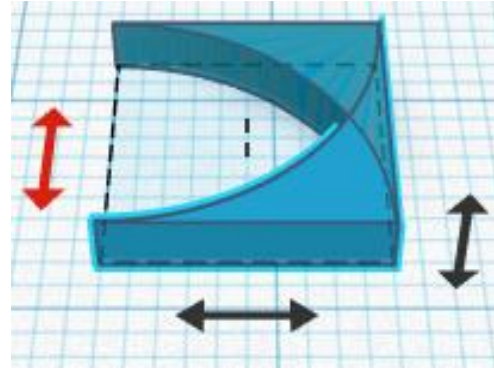
Duplicate Corner Cutout 1 time

Flip Corner Cutout in Y direction.

Before



After



From now on this new flipped part will be called the **Bottom Cutout**

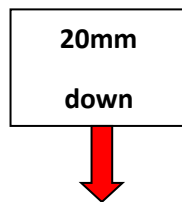
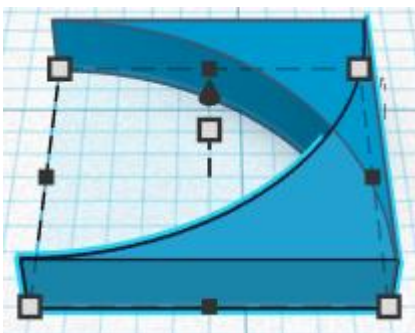
Move Bottom Cutout (Must be in home view for this to work!)
move forward in negative Y direction 20mm

Hint: Select Bottom Cutout and push down arrow key 20 times.

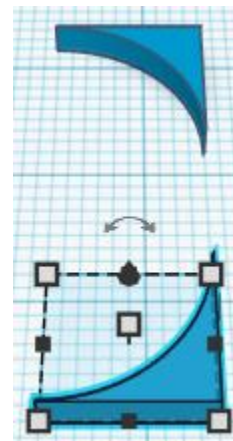
or

Select Bottom Cutout and hold down shift and push down arrow key 2 times.

Before



After

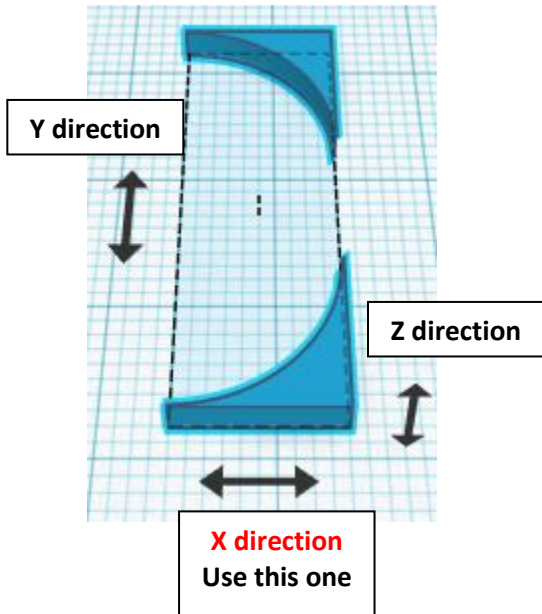


Group Corner Cutout and Bottom Cutout
From now on this will be called the **Right Cutouts**

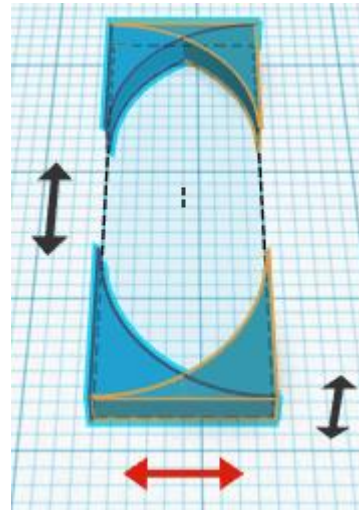
Duplicate Right Cutouts 1 time

Flip Right Cutouts in X direction.

Before



After

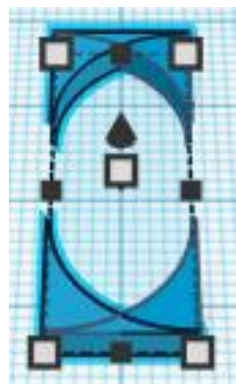


From now on this new flipped part will be called the **Left Cutouts**

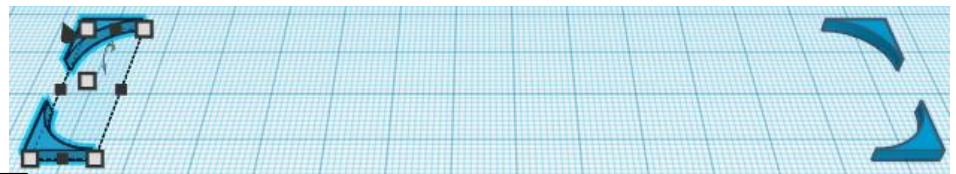
Move Left Cutouts (Must be in home view for this to work!)
move left in negative X direction 130mm

Hint: Select Left Cutouts and push left arrow key 130 times.
or
Select Left Cutouts and hold down shift and push left arrow key 13 times.

Before



After

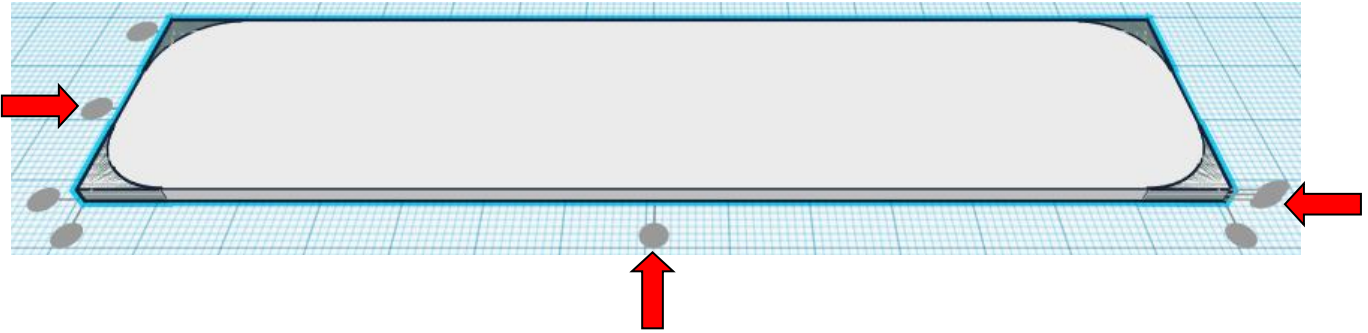


Group Right Cutouts and Left Cutouts
From now on this will be called the **Cutouts**

Change Cutouts to **Hole** by selecting Cutouts and typing "h".

Align Base and Cutouts

centered in X direction,
centered of Y direction, and
bottom of Z direction.

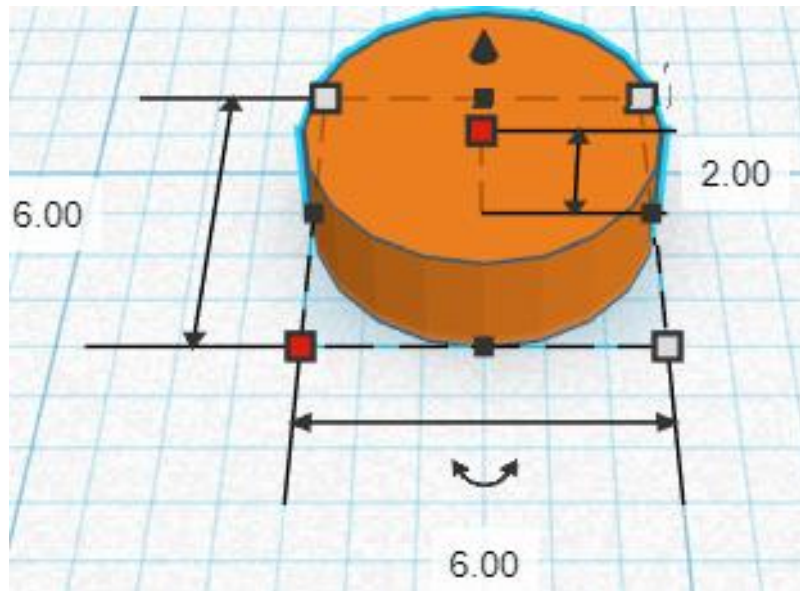


Group Base and Cutouts

From now on this will be called the **Base**

Bring in a Cylinder, located in Basic Shapes on the right 2 shapes down.
From now on this will be called the **Hole Cutout**.

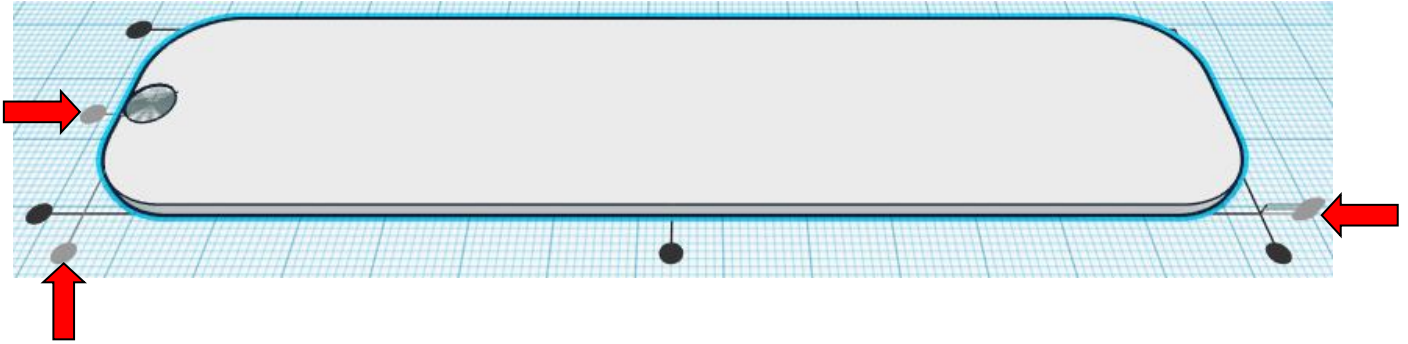
Change the dimensions to
6mm X direction,
6mm Y direction, and
2mm Z direction.



Change Hole Cutout to **Hole** by selecting Hole Cutout and typing "h".

Align Base and Hole Cutout

left in X direction,
centered of Y direction, and
bottom of Z direction.



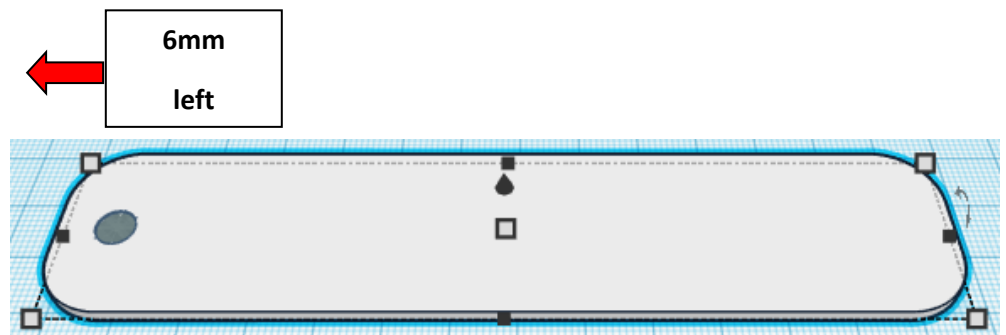
Move Base (Must be in home view for this to work!)
move left in negative X direction 6mm

Hint: Select Base and push left arrow key 6 times.

Before



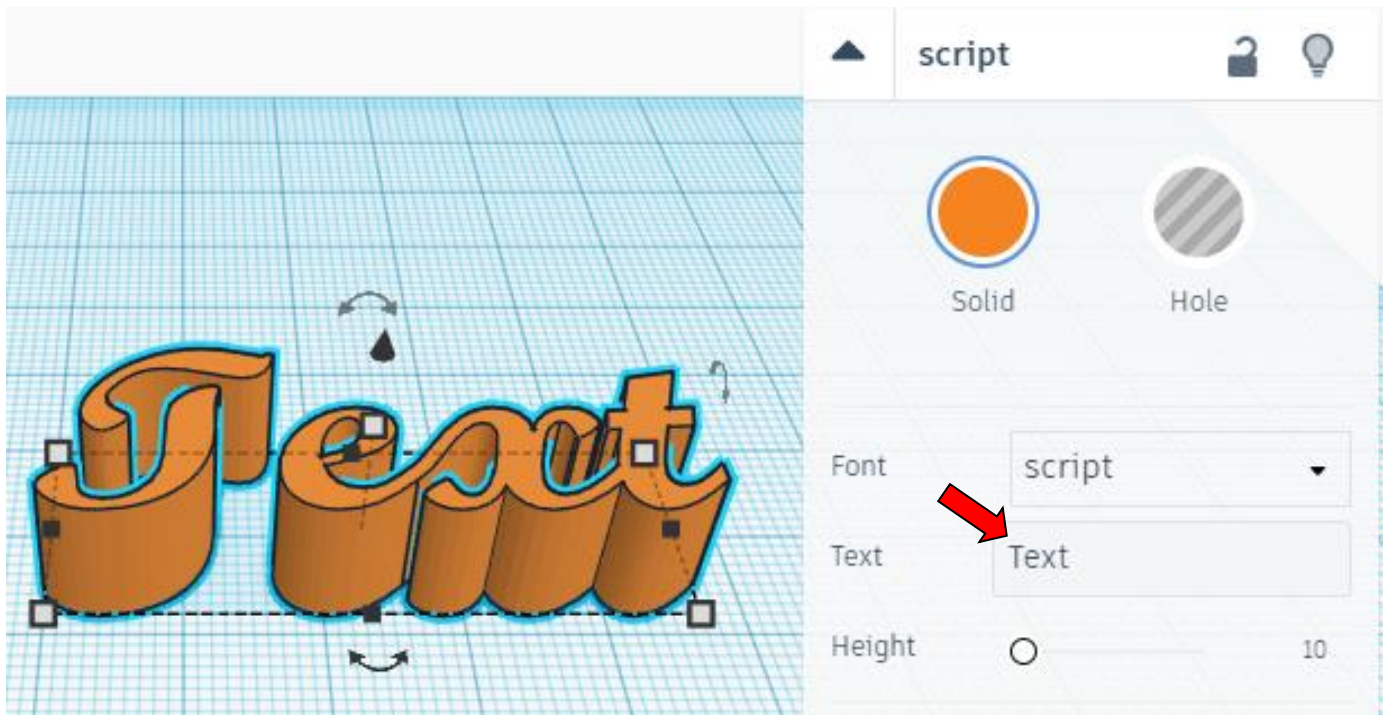
After



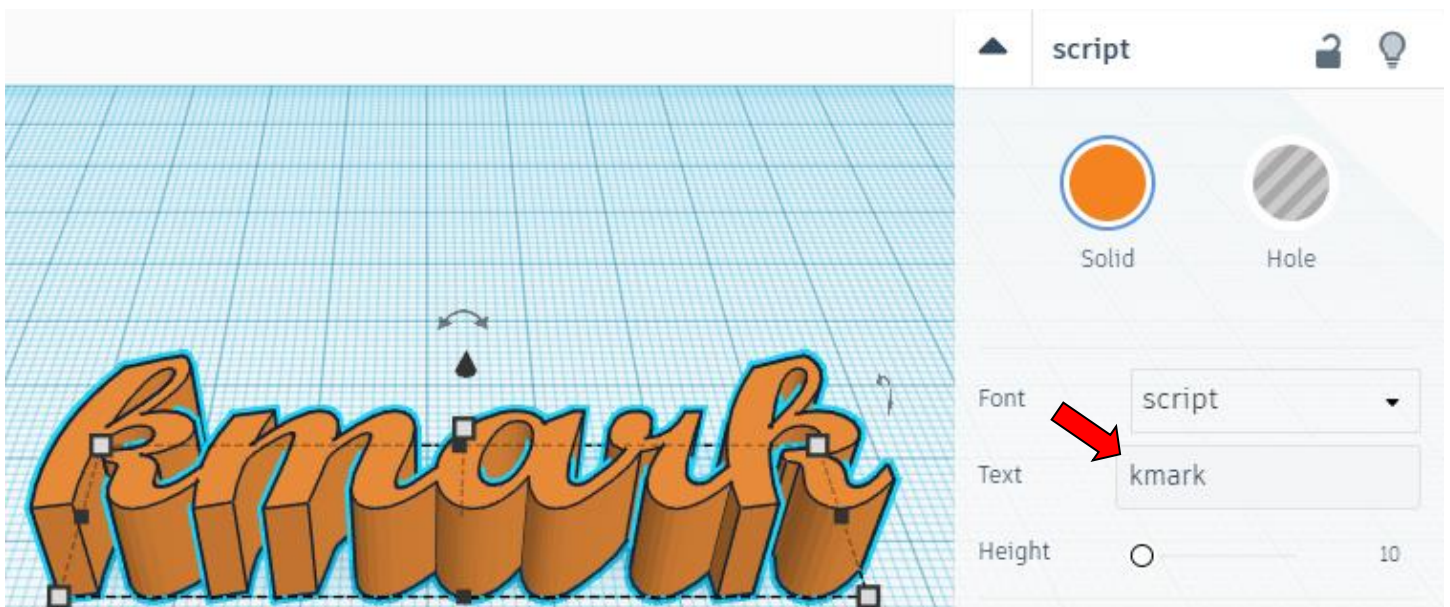
Group Base and Hole Cutout

From now on this will be called the **Base**

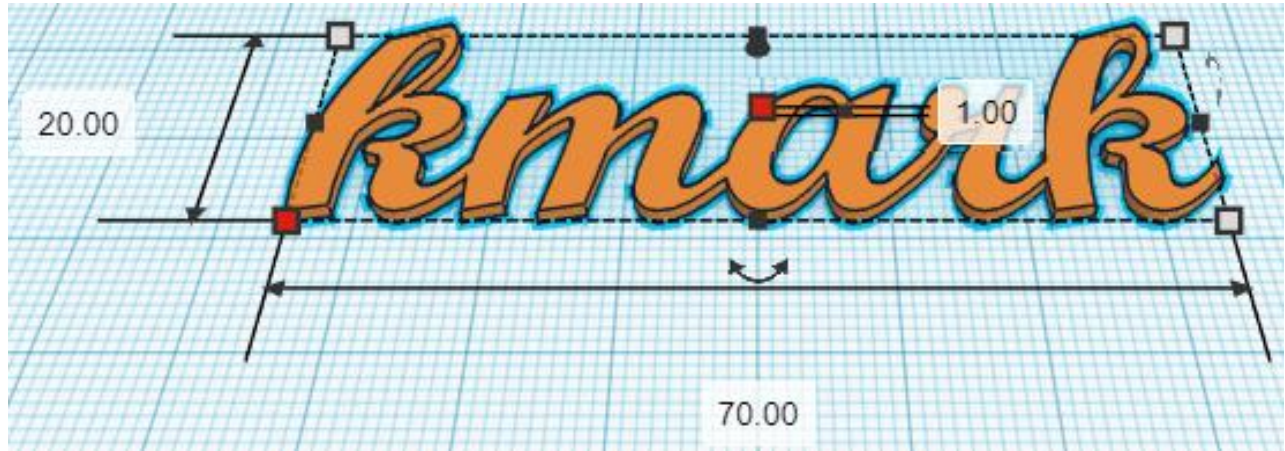
Bring in a Script, located in All, (things in All move each time that TinkerCad adds items to All), this was last seen on page 2, on the right 2nd from top. From now on this will be called the **kmark**



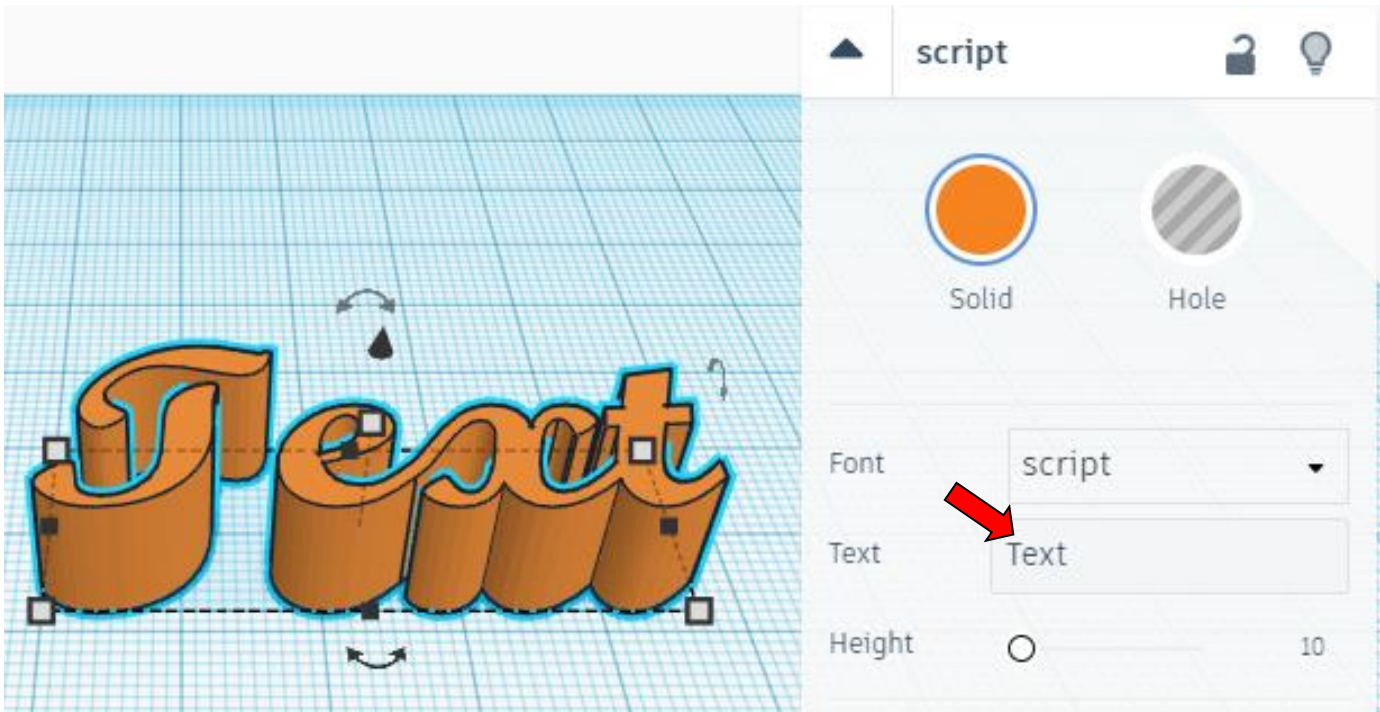
In the Text area change the **text** to **kmark**



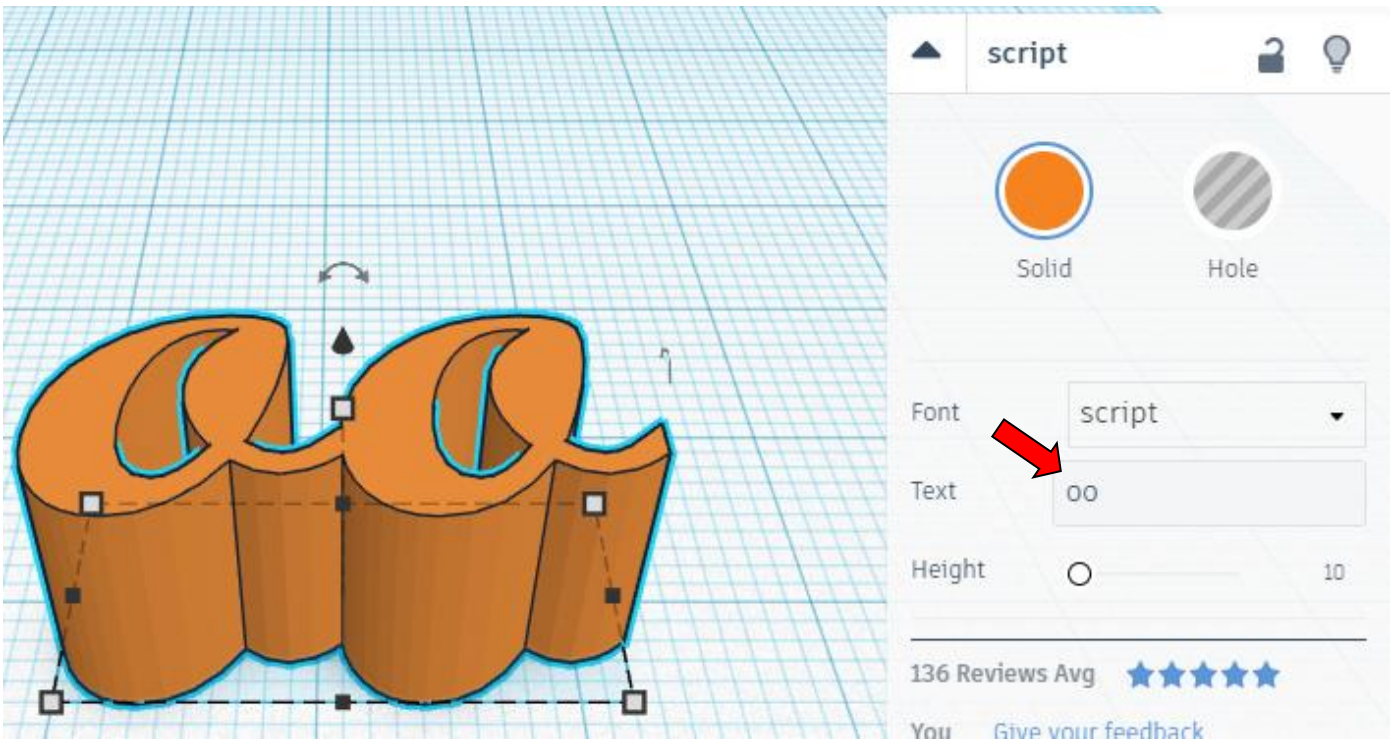
Change the dimensions to
70mm X direction,
20mm Y direction, and
1mm Z direction.



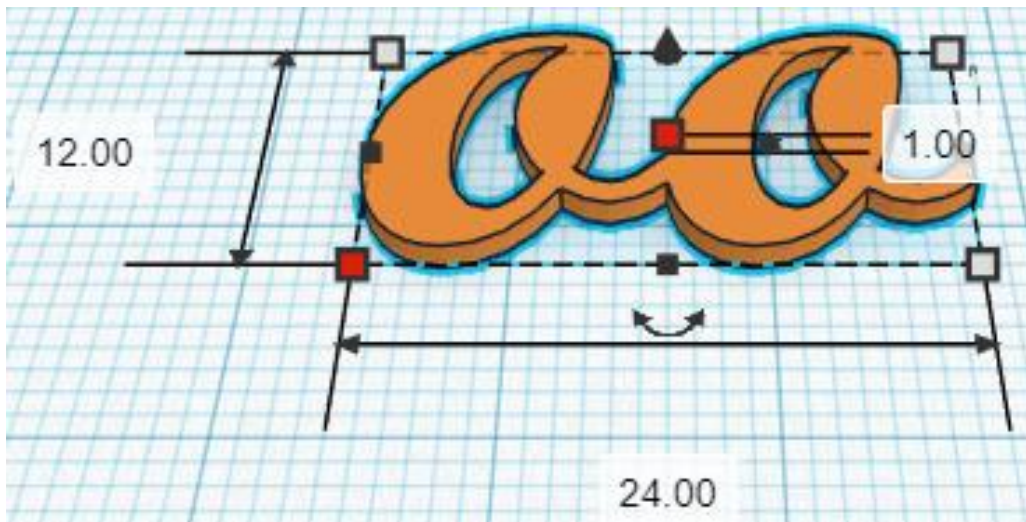
Bring in a Script, located in All, (things in All move each time that TinkerCad adds items to All), this was last seen on page 2, on the right 2nd from top. From now on this will be called the **oo**



In the Text area change the **text** to **oo**



Change the dimensions to
24mm X direction,
12mm Y direction, and
1mm Z direction.



Align kmark and oo

left in X direction,
back of Y direction, and
bottom of Z direction.



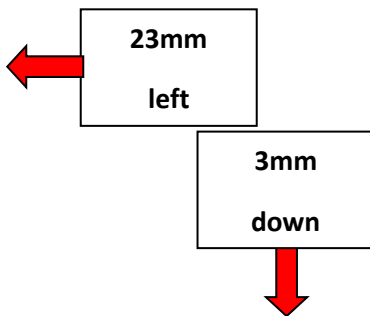
Move oo (Must be in home view for this to work!)

move left in negative X direction 23mm
and
move forward in negative Y direction 3mm

Hint: Select oo and push left arrow key 23 times.
Or
Select oo and hold down shift and push left arrow key 2 times.
Then release the shift button and push left arrow key 3 times.
And
Then Select oo and push down arrow key 3 times.

Before

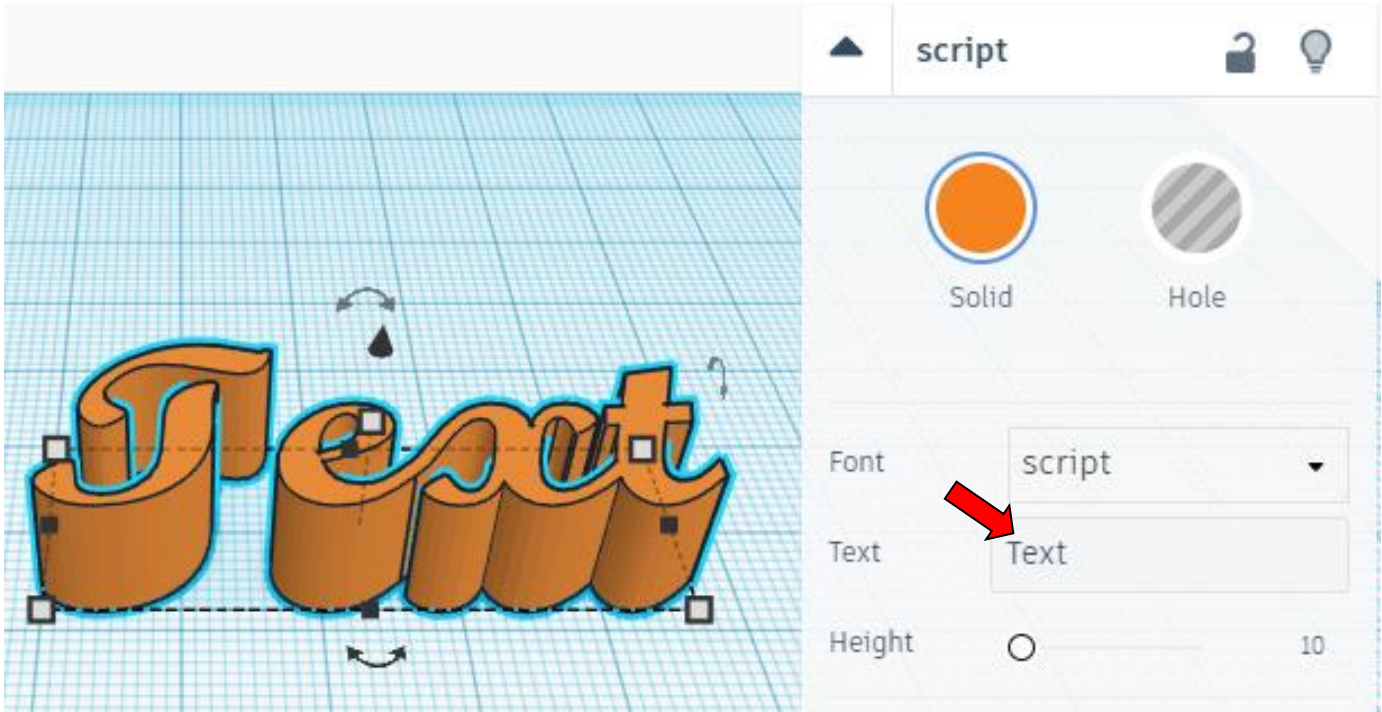
After



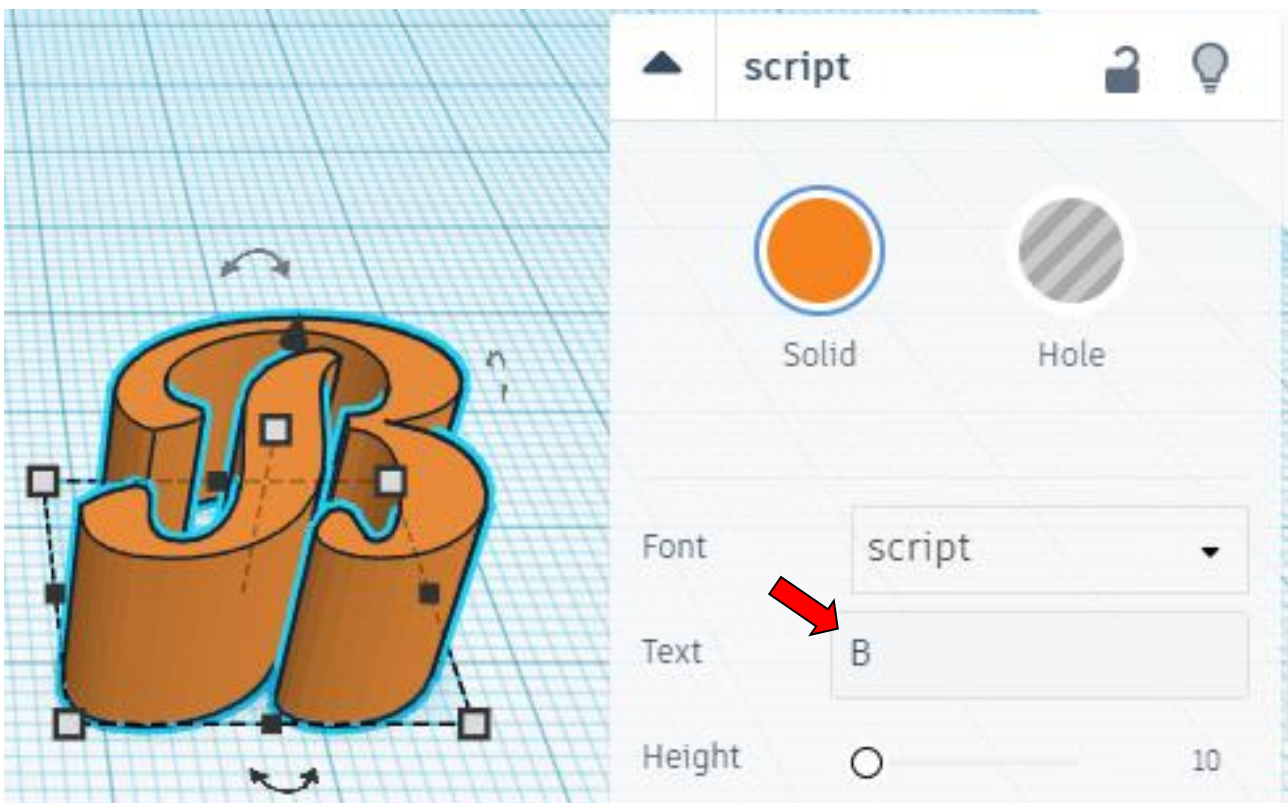
Group kmark and oo

From now on this will be called the **ookmark**

Bring in a Script, located in All, (things in All move each time that TinkerCad adds items to All), this was last seen on page 2, on the right 2nd from top. From now on this will be called the **B**

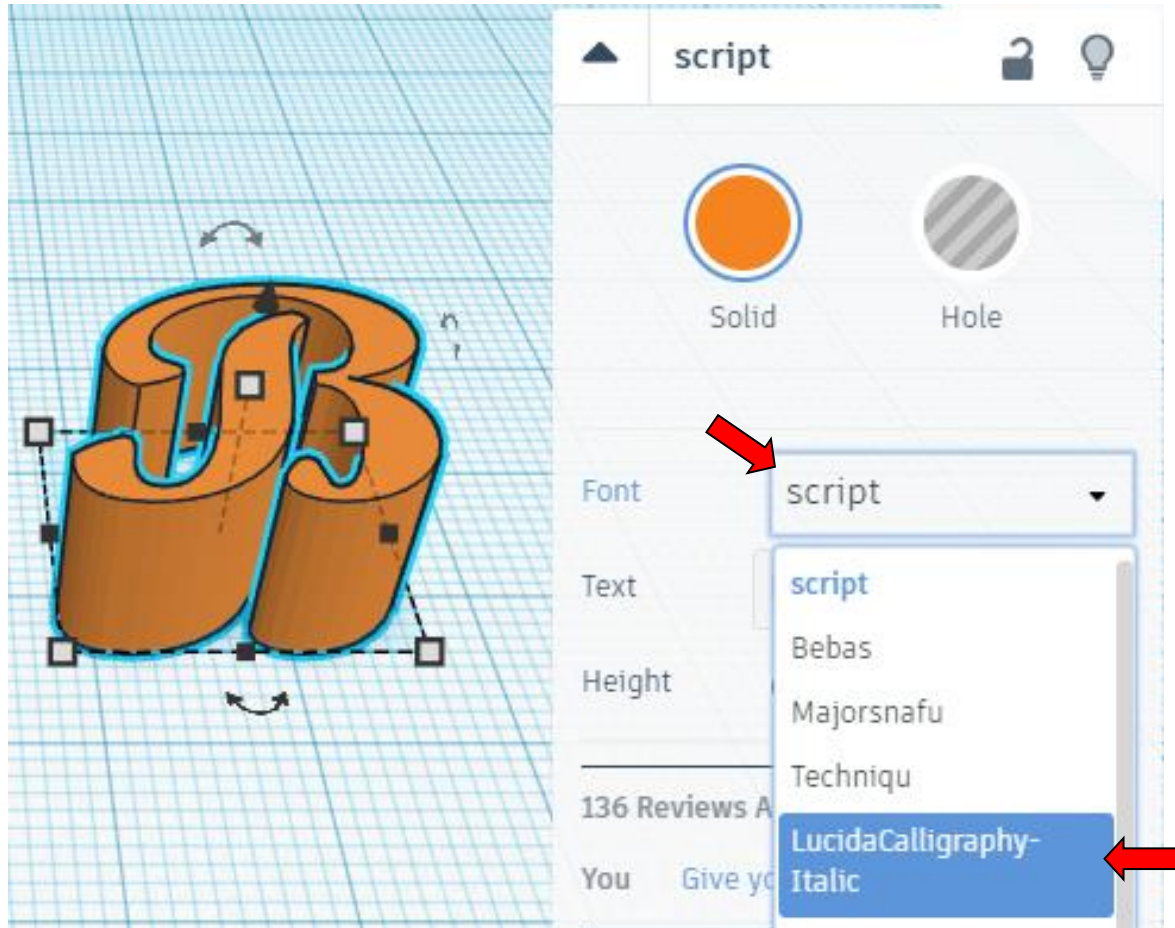


In the Text area change the **text** to **B**

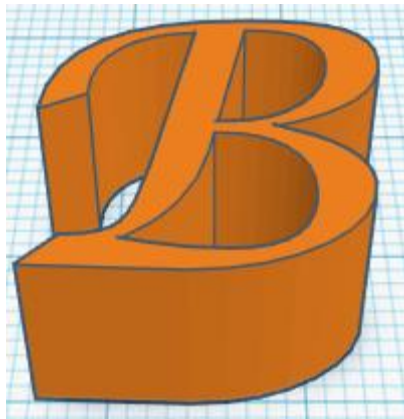


I didn't like this Font, so let's change it.

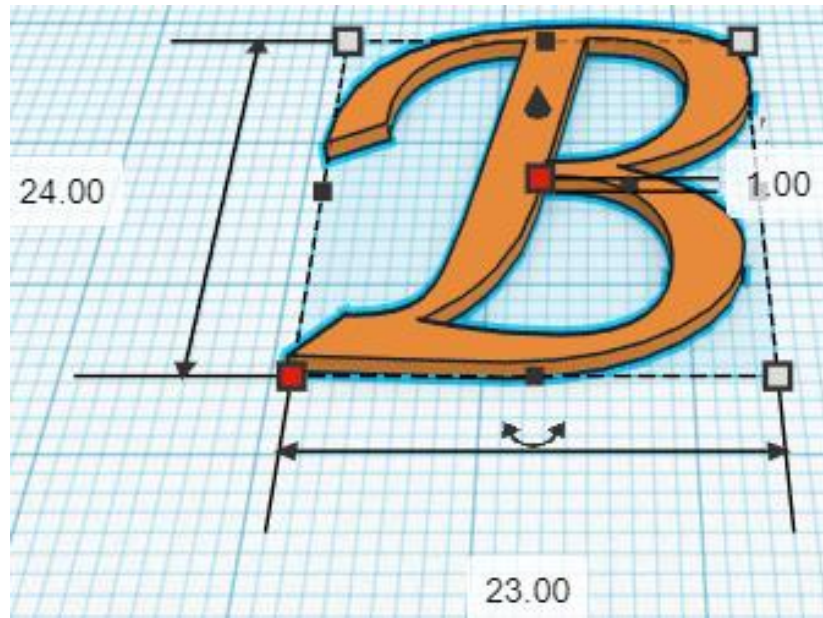
In the Font area change the **script** to



That looks better!



Change the dimensions to
23mm X direction,
24mm Y direction, and
1mm Z direction.



Align bookmark and B

left in X direction,
centered of Y direction, and
bottom of Z direction.



Move B (Must be in home view for this to work!)
move left in negative X direction 24mm

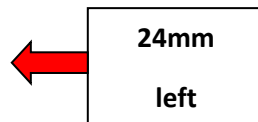
Hint: Select B and push left arrow key 24 times.

Or

Select B and hold down shift and push left arrow key 2 times.

Then release the shift button and push left arrow key 4 times.

Before



After

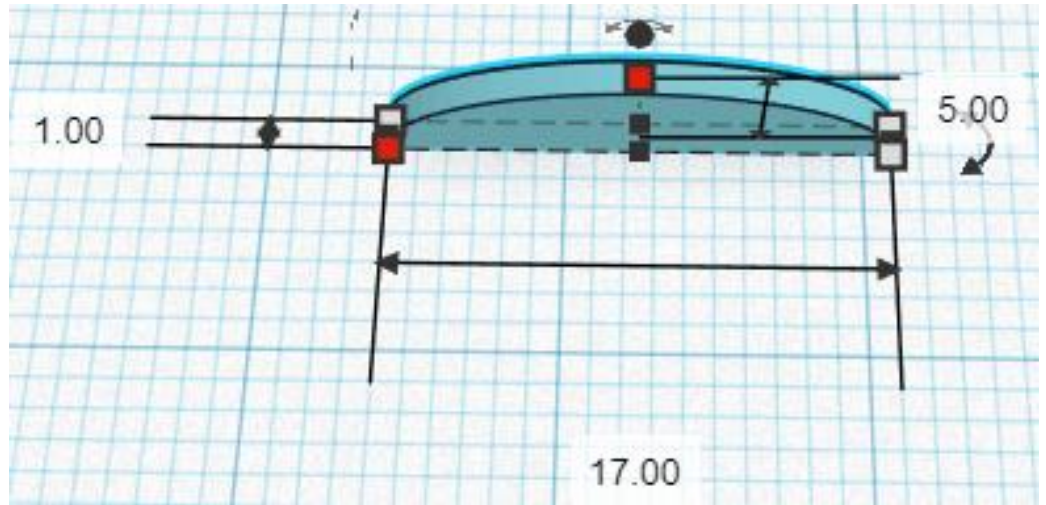


Group ookmark and B

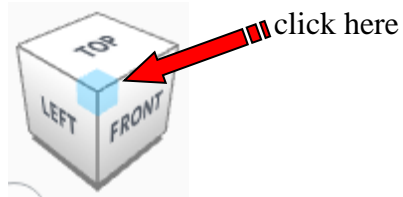
From now on this will be called the **Bookmark**

Bring in a Round Roof, located in Basic Shapes on the left 5 shapes down.
From now on this will be called the **Smile**.

Change the dimensions to
17mm X direction,
1mm Y direction, and
5mm Z direction.



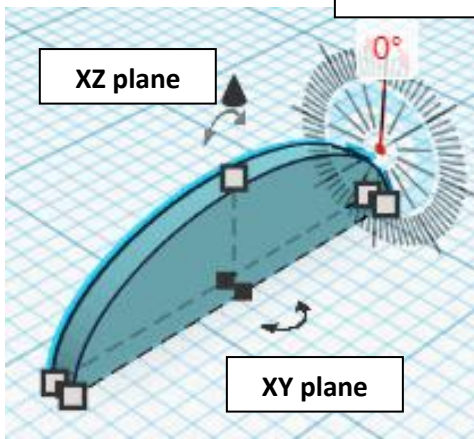
Go to TOP LEFT FRONT view for rotations



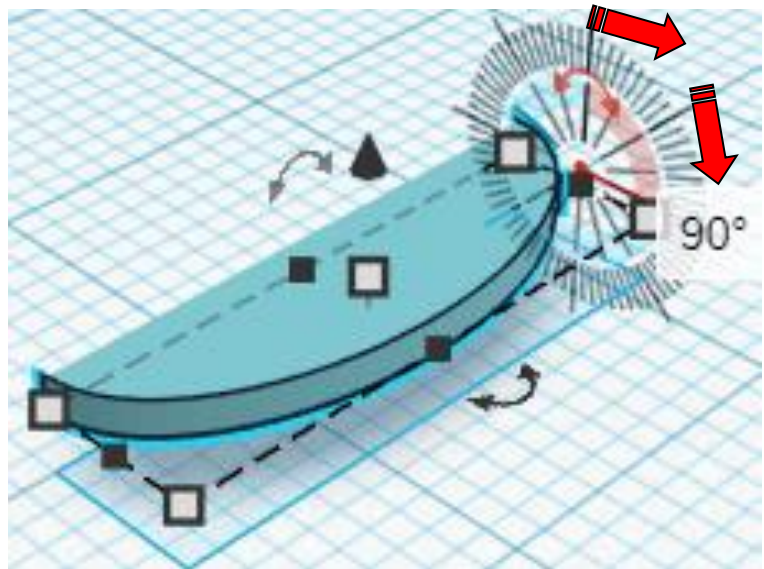
Rotate the Smile clockwise 90 degrees in YZ plane.

Before

YZ plane
Use this one



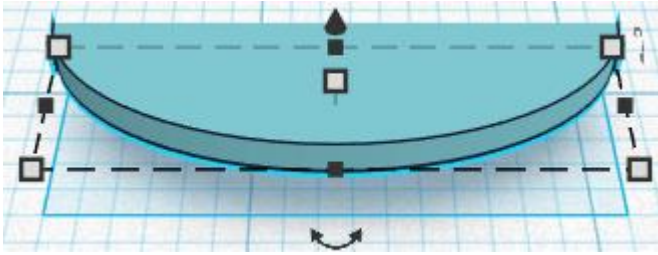
After



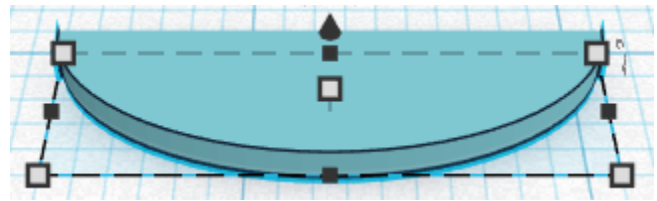
Set on Workplane:

Select the Smile and type "d" to set the body on the work plane.

Before



After

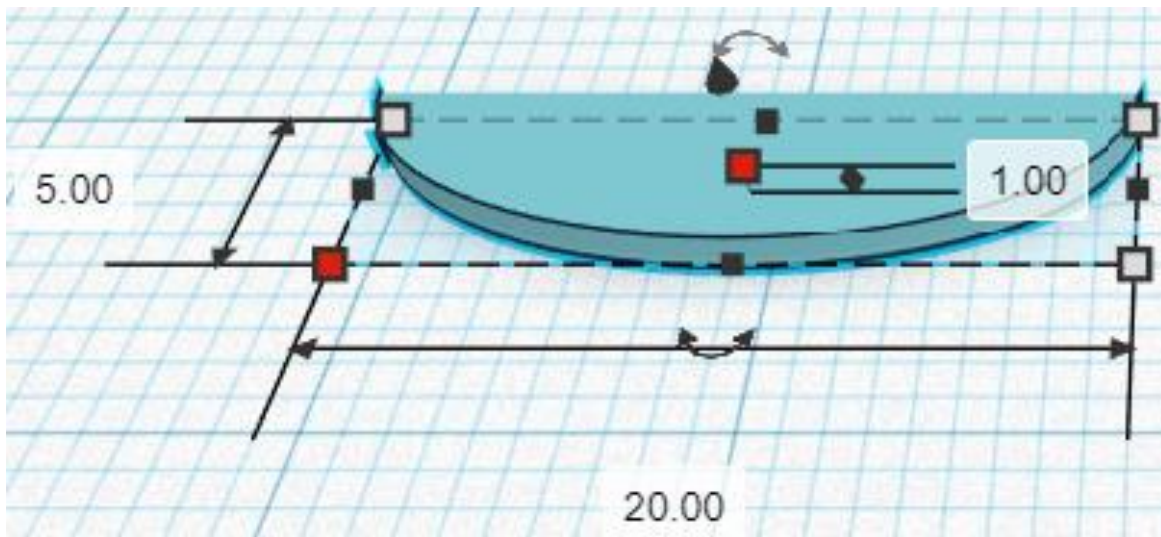


Duplicate Smile 1 time

From now on this will be called the **Smile cutout**

Move Smile Cutout to the side and

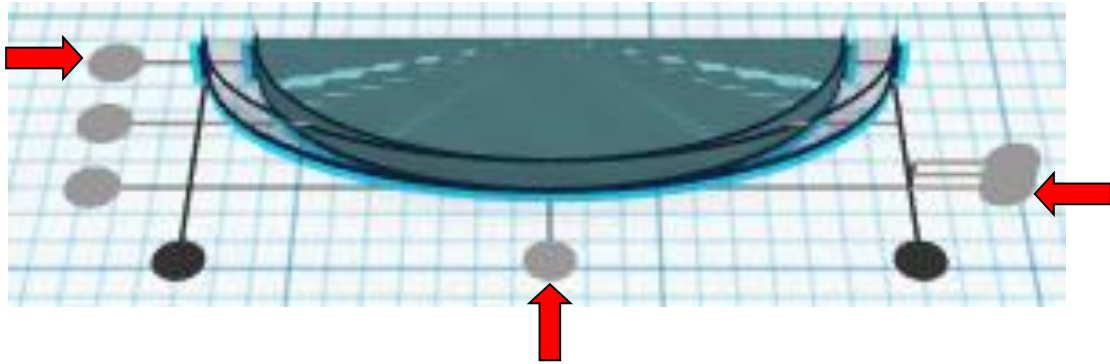
Change the dimensions to
20mm X direction,
5mm Y direction, and
1mm Z direction.



Change Smile Cutout to Hole by selecting Smile Cutout and typing “h”.

Align Smile and Smile Cutout

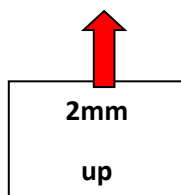
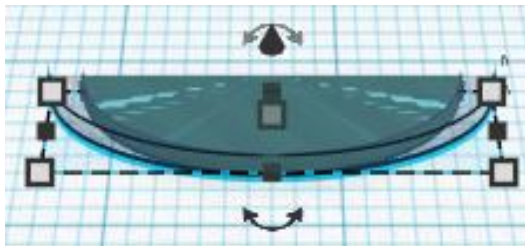
centered in X direction,
back of Y direction, and
bottom of Z direction.



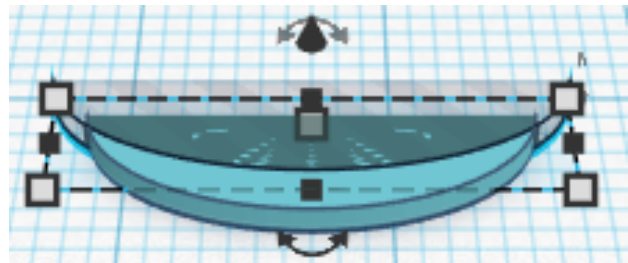
Move Smile Cutout (Must be in home view for this to work!)
move back in positive Y direction 2mm

Hint: Select Smile Cutout and push up arrow key 2 times.

Before



After



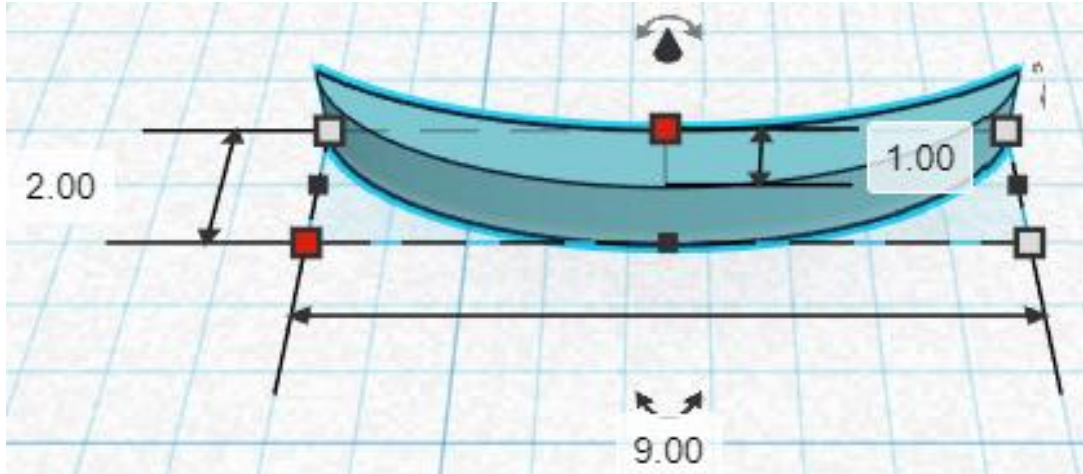
Group Smile and Smile Cutout

From now on this will be called the **Smile**

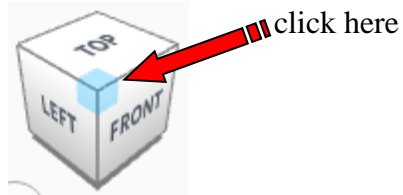
Duplicate Smile 1 time
From now on this will be called the **Left Eyebrow**

Move Left Eyebrow to the side and

Change the dimensions to
9mm X direction,
2mm Y direction, and
1mm Z direction.



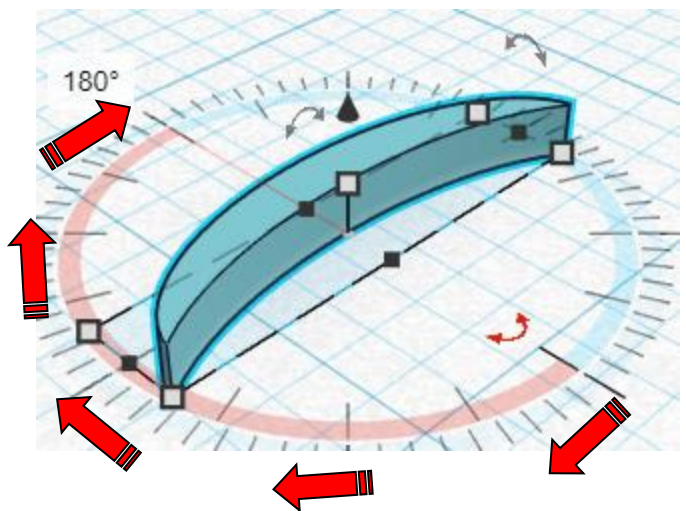
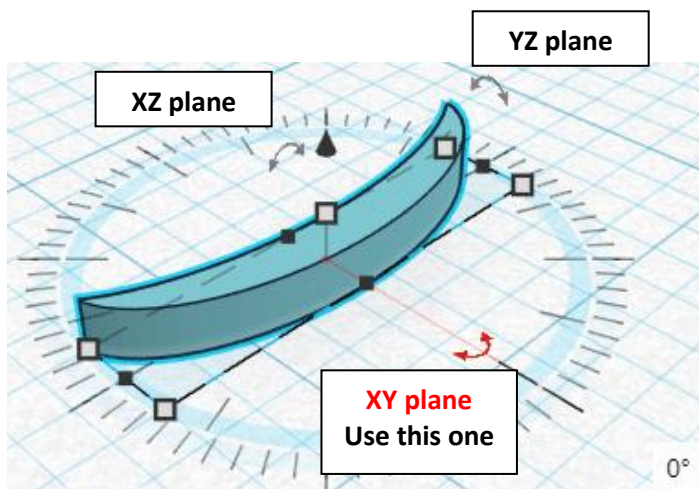
Go to TOP LEFT FRONT view for rotations



Rotate the Left Eyebrow clockwise 180 degrees in XY plane.

Before

After



Duplicate Left Eyebrow 1 time

From now on this will be called the **Right Eyebrow**

Move Right Eyebrow (Must be in home view for this to work!)

move right in positive X direction 13mm

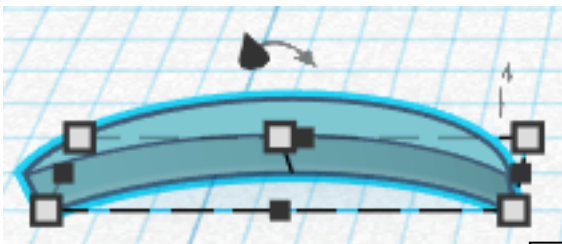
Hint: Select Right Eyebrow and push right arrow key 13 times.

Or

Select Right Eyebrow and hold down shift and push right arrow key 1 time.

Then release the shift button and push right arrow key 3 times.

Before



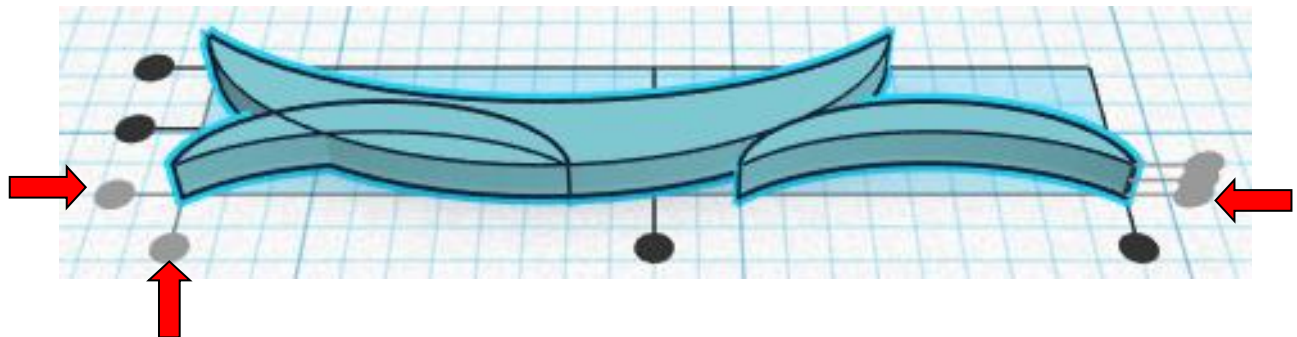
After

Group Right Eyebrow and Left Eyebrow

From now on this will be called the **Eyebrows**

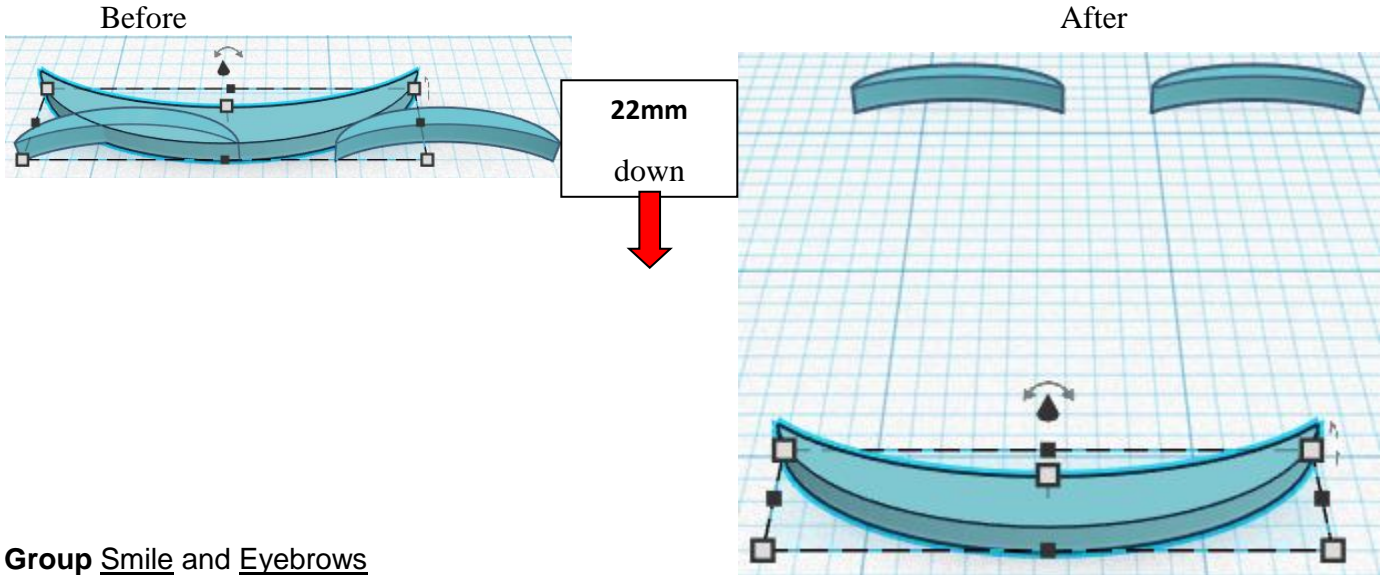
Align Smile and Eyebrows

left in X direction,
front of Y direction, and
bottom of Z direction.



Move Smile (Must be in home view for this to work!)
move forward in negative Y direction 22mm

Hint: Select Smile and push down arrow key 22 times.
Or
Select Smile and hold down shift and push down arrow key 2 times.
Then release the shift button and push down arrow key 2 times.



Group Smile and Eyebrows
From now on this will be called the **Face**

Align Face and Bookmark

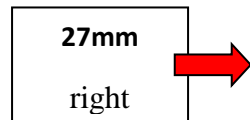
left in X direction,
centered of Y direction, and
bottom of Z direction.



Move Face (Must be in home view for this to work!)
move right in positive X direction 27mm

Hint: Select Smile and push right arrow key 27 times.
Or
Select Smile and hold down shift and push right arrow key 2 times.
Then release the shift button and push right arrow key 7 times.

Before



After



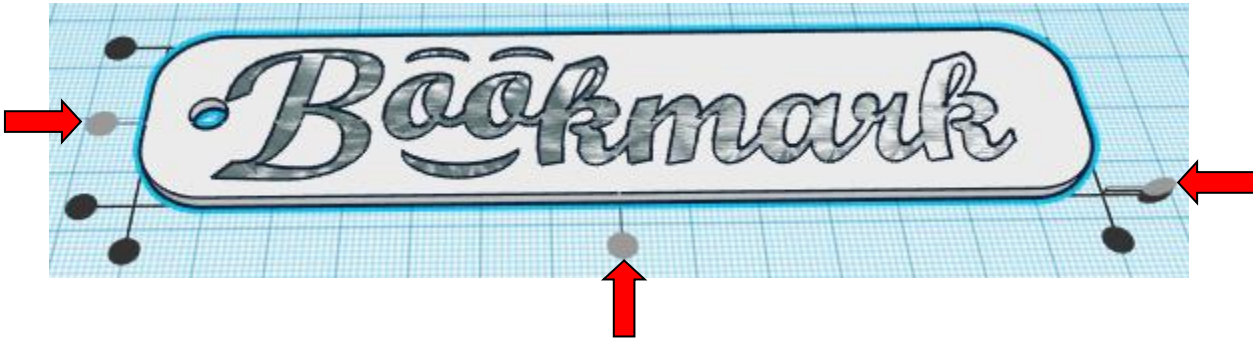
Group Bookmark and Face
From now on this will be called the **Bookmark**

Duplicate Bookmark 1 time
From now on this will be called the **Bookmark cutout**

Change Bookmark Cutout to **Hole** by selecting Bookmark Cutout and typing "h".

Align Base and Bookmark Cutout

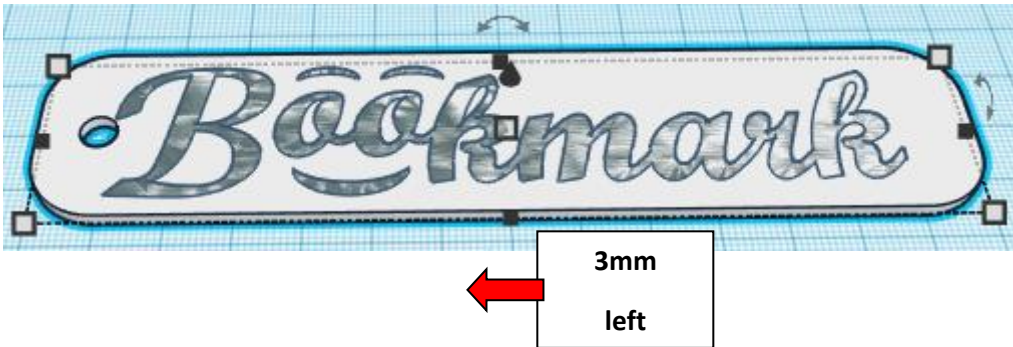
centered in X direction,
centered of Y direction, and
top of Z direction.



Move Base (Must be in home view for this to work!)
move left in negative Y direction 3mm

Hint: Select Base and push left arrow key 3 times.

Before



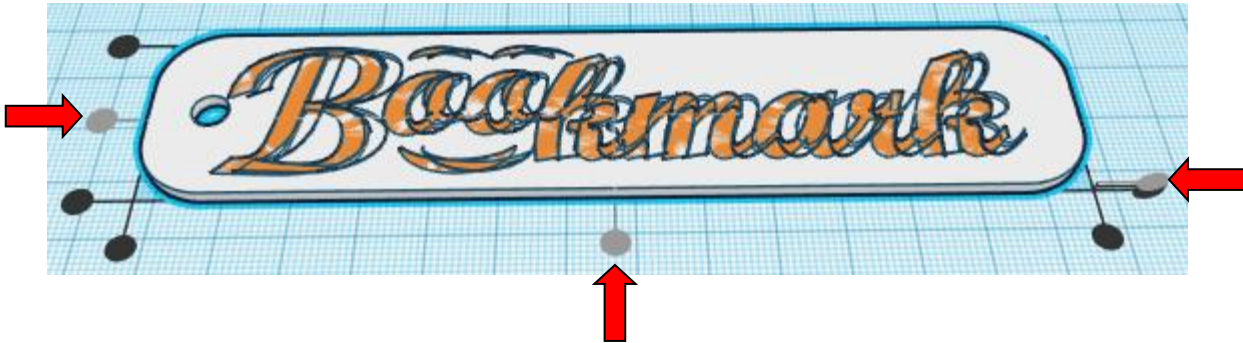
After



Group Base and Bookmark Cutout
From now on this will be called the **Base**

Align Base and Bookmark

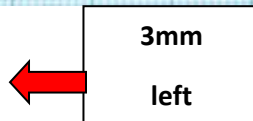
centered in X direction,
centered of Y direction, and
top of Z direction.



Move Base (Must be in home view for this to work!)
move left in negative Y direction 3mm

Hint: Select **Base** and push left arrow key 3 times.

Before



After



DO NOT GROUP!

The two solids must be separate for printing.

Change the colors of each solid to see how it will look after printing.

Here are some possible styles!



Add some thin ribbon and tie to the Hole Cutout to add some décor.

Have fun and enjoy!